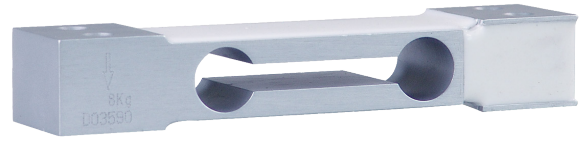


L6D

- Aluminium–Alloy IP65 single point load cell.
- Colourless anodized
- Suitable for pricing scales, bench scales, etc.
- Maximum platform size: 250 x 350 mm



Available models

Capacity	Accuracy	Full article description
2.5 kg	C3 Excluded from OIML	L6D–C3–2.5kg–0.4B
3 kg	C3/C4/C5	L6D–C3/C4/C5–3kg–0.4B
5 kg	C3/C4/C5	L6D–C3/C4/C5–5kg–0.4B
6 kg	C3/C4/C5	L6D–C3/C4/C5–6kg–0.4B
8 kg	C3/C4/C5	L6D–C3/C4/C5–8kg–0.4B
10 kg	C3/C4/C5	L6D–C3/C4/C5–10kg–0.4B
15 kg	C3/C4/C5	L6D–C3/C4/C5–15kg–0.4B
20 kg	C3/C4/C5	L6D–C3/C4/C5–20kg–0.4B
30 kg	C3/C4/C5	L6D–C3/C4/C5–30kg–0.4B
35 kg	C3/C4/C5	L6D–C3/C4/C5–35kg–0.4B
40 kg	C3/C4/C5	L6D–C3/C4/C5–40kg–0.4B
50 kg	C3/C4/C5	L6D–C3/C4/C5–50kg–0.4B



Certificate no. 11–012

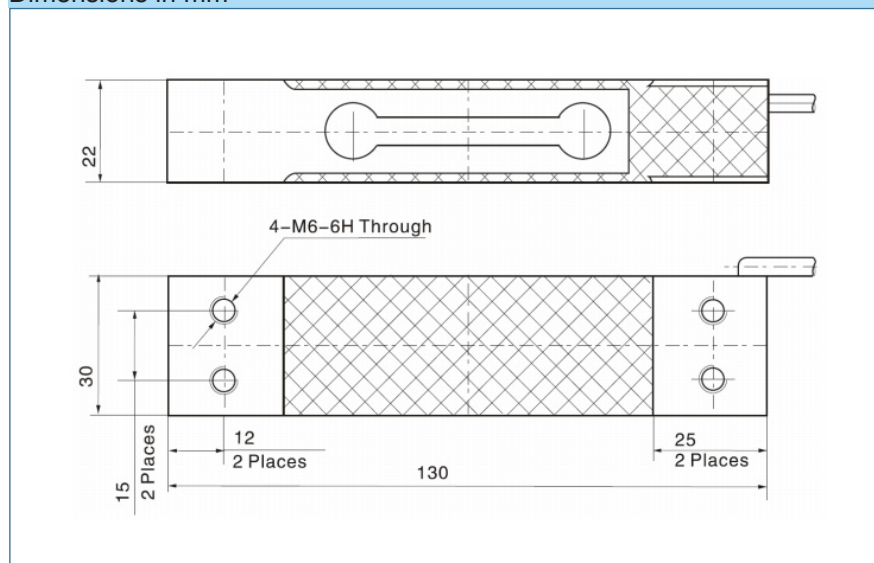


test certificate no. TC7868 Revision 0
C of C no R60/2000–NL1–12.52 TC7868 revision 1

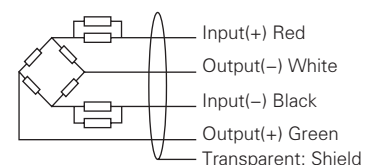
Specification

Accuracy class		C3	OIML R60 C3	OIML R60 C4	OIML R60 C5
Output sensitivity (= FS)	mV/V	2.0 ± 0.2			
Maximum capacity (E _{max})	kg	2.5	3/5/6/8/10/15/20/30/35/40/50		
Maximum number of load cell intervals (nLC)		3000	3000	4000	5000
Ratio of minimum LC verification interval Y = E _{max} / v _{min}		10000	10000	15000	20000
Combined error	%FS	± 0.02		± 0.0150	± 0.01
Minimum dead load	%FS	0			
Safe overload	%FS	120			
Ultimate overload	%FS	150			
Zero balance	%FS	± 2.0			
Excitation, recommended voltage	V	5 ~ 12(DC)			
Excitation maximum	V	18(DC)			
Input resistance	Ω	406 ± 6			
Output resistance	Ω	350 ± 3			
Insulation resistance	MΩ	≥ 5000 (50VDC)			
Compensated temperature	°C	–10 ~ +40			
Operating temperature	°C	–35 ~ +65			
Storage temperature	°C	–40 ~ +70			
Element material		Aluminium			
Recommended torque on fixation	N.m	< 30kg: 6		≥ 30kg:10	
Ingress protection (according to EN 60529)		IP65			

Dimensions in mm



Wiring



- Shielded, 4 conductor cable.
- Cable diameter: Φ3.8mm.
- Standard cable length: 0.40m
- Shield not connected to element.
- Cable jacket in PVC.